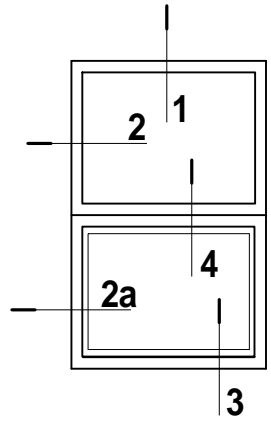
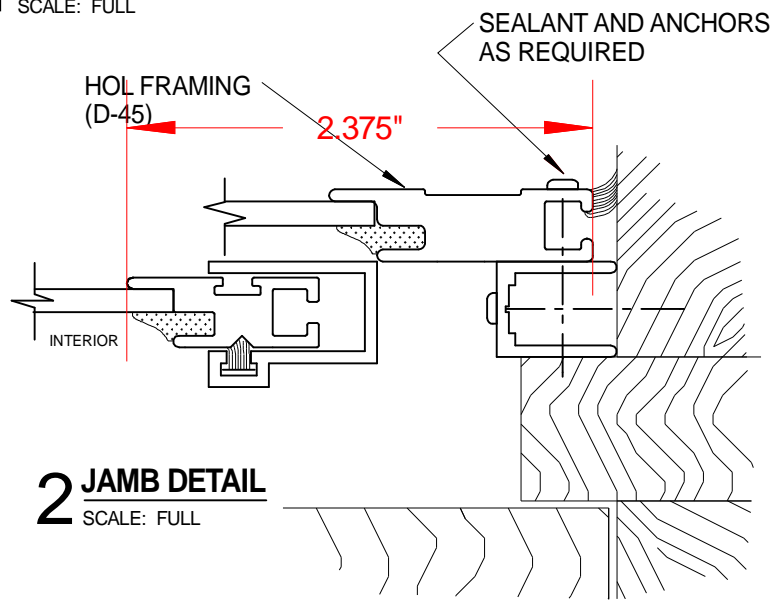


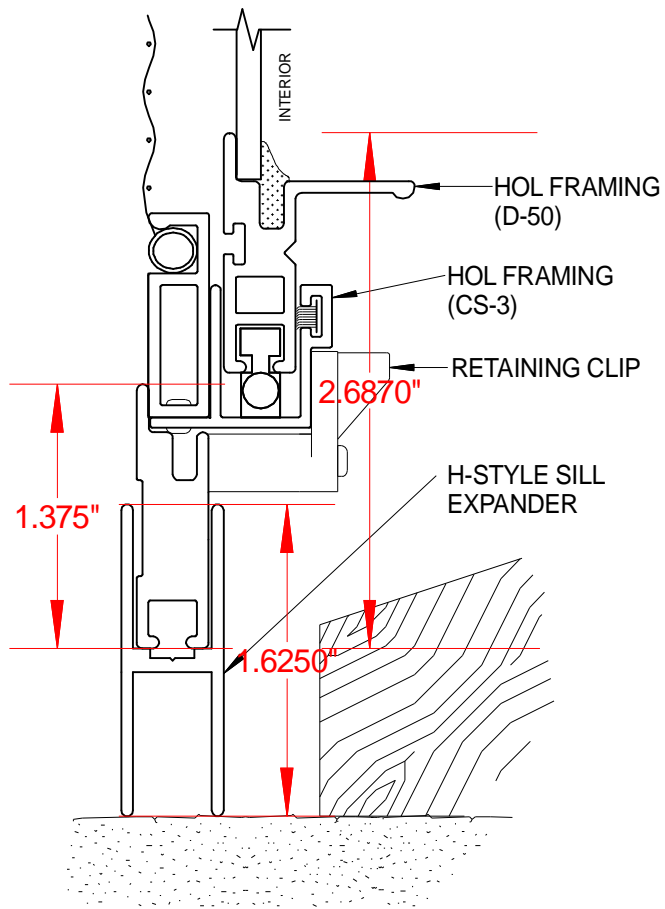
1 HEAD DETAIL
SCALE: FULL



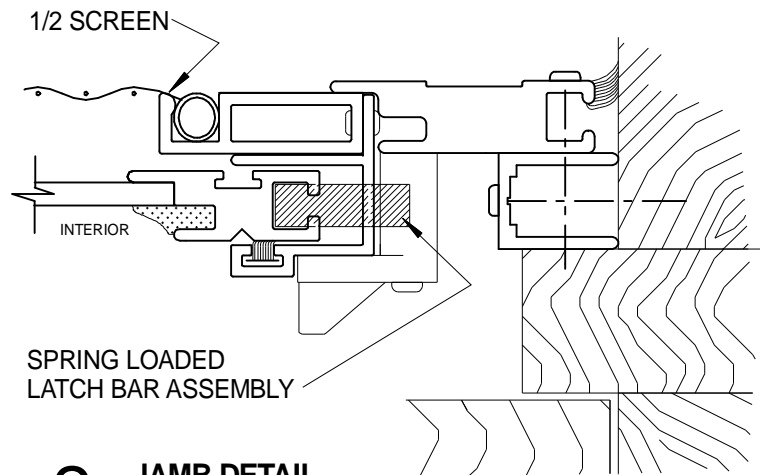
4 MEETING RAIL DETAIL
SCALE: FULL



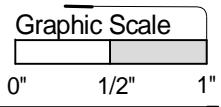
2 JAMB DETAIL
SCALE: FULL



3 SILL DETAIL
SCALE: FULL



2a JAMB DETAIL
SCALE: FULL



PRODUCT
HISTORIC ONE LITE - OPERATING
HOL-OP WITH SCREEN

DWG. NO.
H-6

Allied Window
Performance Panels™

11111 CANAL ROAD • CINCINNATI, OH 45241 • PH: 800-445-5411, 513-559-1212 • FAX: 513-559-1883 • www.alliedwindow.com • info@alliedwindow.com